



環天衛星科技股份有限公司

## PRODUCT USER MANUAL

### GPS ENGINE BOARD

ET-314

**GlobalSat Technology Corporation**

台北縣中和市建一路 186 號 16 樓(遠東世紀廣場)

16, No.186, Chien 1 Road, 235 Chung Ho City, Taipei Hsien, Taiwan ,R.O.C.

Tel: 886-2-8226-3799(Rep.)

Fax: 886-2-8226-3899

Web: [www.globalsat.com.tw](http://www.globalsat.com.tw)

E-mail: [service@globalsat.com.tw](mailto:service@globalsat.com.tw)

## **Features:**

SiRF star high performance GPS Chip Set

Very high sensitivity (Tracking Sensitivity: -159 dBm)

Extremely fast TTFF (Time To First Fix) at low signal level

Compact size (25.4mm \* 25.4 mm \* 3.3mm) suitable for space-sensitive application

One size component, easy to mount on another PCB board

Support NMEA 0183 and SiRF binary protocol

## **Specification:**

### **General**

Chipset	SiRF Star
Frequency	L1, 1575.42 MHz
C/A code	1.023 MHz chip rate
Channels	20 channel all-in-view tracking
Sensitivity	-159 dBm

### **Accuracy**

Position	10 meters, 2D RMS 5 meters, 2D RMS, WAAS enabled
Velocity	0.1 m/s
Time	1us synchronized to GPS time

### **Datum**

Default	WGS-84
---------	--------

### **Acquisition Time**

Reacquisition	0.1 sec., average
Hot start	1 sec., average
Warm start	38 sec., average
Cold start	42 sec., average

### **Dynamic Conditions**

Altitude	18,000 meters (60,000 feet) max
Velocity	515 meters /second (1000 knots) max
Acceleration	Less than 4g
Jerk	20m/sec **3

## Power

Main power input	3.3V +- 5% DC input
Power consumption	68mA (Continuous mode)

## Interface

Dimension	25.4mm * 25.4 mm * 3.3mm
Baud rate	4,800 to 57,600 bps adjustable
Output message	SiRF binary or NMEA 0183 GGA, GSA, GSV, RMC, VTG, GLL

## GPS Antenna Specification(Recommendation)

Frequency: 1575.42±2 MHz

Axial Ratio: 3 dB Typical

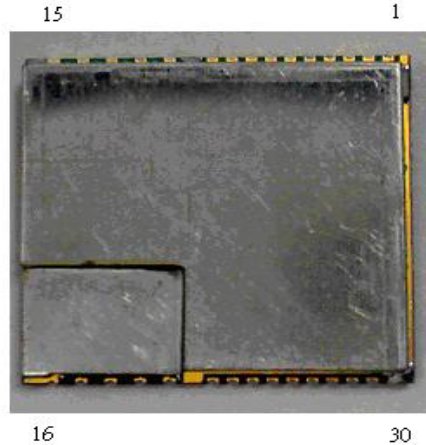
output Impedance: 50Ω

Polarization: RHCP

Amplifier Gain :20~26dB Typical

Output VSWR: 2.0 Max.

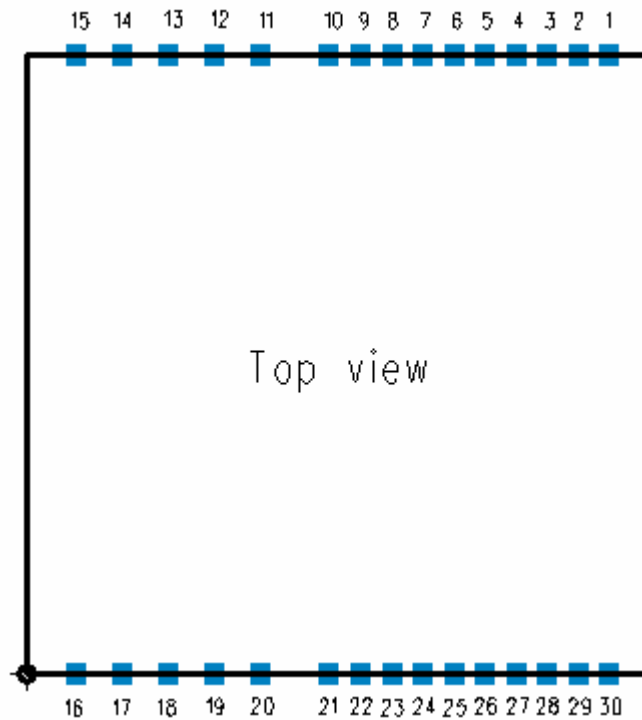
Noise Figure: 2.0 dB Max.



## Environmental

Operating Temp	-40 to +85
----------------	------------

## Pin Assignment



Pin	Signal Name	I/O	Description
1	VCC	I	DC Supply Voltage input
2	GND	G	Ground
3	Boot select	I	Boot mode
4	RXA	I	Serial port A
5	TXA	O	Serial port A
6	TXB	O	Serial port B
7	RXB	I	Serial port B
8	GPIO14	I/O	General -purpose I/O
9	RF_ON		
10	GND	G	Digital Ground
11 16	GND_A	G	Analog Ground
17	RF_IN	I	GPS Signal input
18	GND_A	G	Analog Ground
19	V_ANT_IN	I	Active Antenna Bias voltage
20	VCC_RF	O	Supply Antenna Bias voltage
21	V_BAT	I	Backup voltage supply
22	Reset	I	Reset (Active low)

23	GPIO10	I/O	General purpose I/O
24	GPIO1	I/O	General purpose I/O
25	GPIO5	I/O	General purpose I/O
26	GPIO0	I/O	General purpose I/O (support continuous power mode only)
27	GPIO13	I/O	General purpose I/O
28	GPIO15	I/O	General purpose I/O
29	PPS	O	One pulse per second
30	GND	G	Digital Ground

## Definition of Pin assignment

### VCC

This is the main DC supply for a 3.3V +- 5% DC input power module board.

### GND

GND provides the ground for digital part.

### Boot select

Set this pin to high for programming flash.

### RXA

This is the main receiver channel and is used to receive software commands to the board from SIRFdemo software or from user written software.

PS: Pull up if not used.

### RXB

This is the auxiliary receiving channel and is used to input differential corrections to the board to enable DGPS navigation.

PS: Pull up if not used.

### TXA

This is the main transmitting channel and is used to output navigation and measurement data to SiRFdemo or user written software.

## **TXB**

For user's application (not currently used).

## **RF\_ON**

This pin indicates state of RF voltage.

## **RF\_IN**

This pin receiver signal of GPS analog .due to the RF characteristics of the signal the design has to certain criteria. The line on the PCB from the antenna(or antenna connector) has to be a controlled microstrip line at 50

## **V\_ANT\_IN**

This pin is reserved an external DC power supply for active antenna.

If using 3.0V active antenna, pin 19 has to be connected to pin 20.

If using 3.3V or 12V active antenna, this pin has to be connected to 3.3V or 5V power supply.

## **VCC\_RF**

This pin provides DC voltage 3.0 for active antenna. Reset

This pin provides an active-low reset input to the board. It causes the board to reset and start searching for satellites. If not utilized, it may be left open.

## **PPS**

This pin provides one pulse-per-second output from the board, which is synchronized to GPS time. This is not available in Trickle Power mode.

## **Backup battery (V\_BAT)**

This is the battery backup input that powers the SRAM and RTC when main power is removed. Typical current draw is 15uA. Without an external backup battery, the module/engine board will execute a cold star after every turn on.

To achieve the faster start-up offered by a hot or warm start, a battery backup must be connected. The battery voltage should be between 2.0v and 5.0v.

Without an external backup battery or super cap, the TMP will execute a cold start after every power on. To achieve the faster start-up offered by a

hot or warm start, either a battery backup must be connected or a super cap installed.

To maximize battery lifetime, the battery voltage should not exceed the supply voltage and should be between 2.5V and 3.6V.

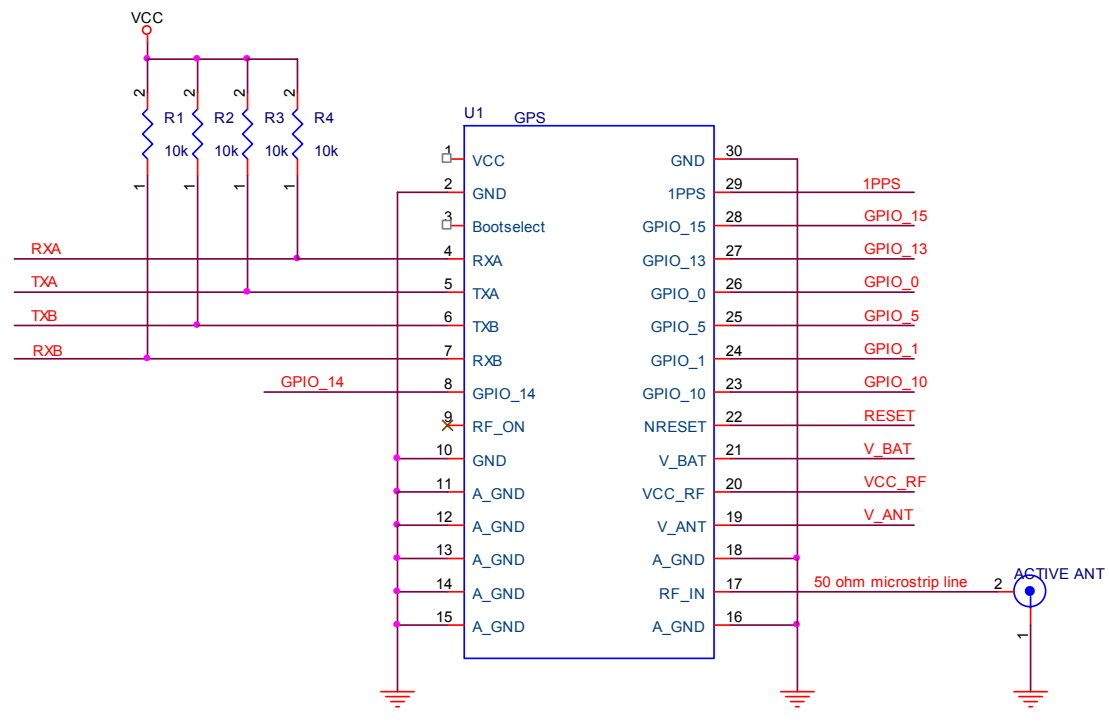
With the super cap (B1) installed, and after at least ten minutes of continuous operation, the data retention is about seven hours.

Note that even though all other components are rated at  $-30$  to  $+85$  deg C, a typical super cap is specified over a temperature range of  $-25$  to  $+70$  deg C and a typical rechargeable Lithium battery is over  $-20$  to  $+70$  deg C.

### GPIO Functions

Several I/Os are connected to the digital interface connector for custom applications.

### Application Circuit



(1) Ground Planes:

ET-314 GPS receiver needs two different ground planes. The GND\_A pin(11, 12, 13, 14, 15, 16, 18) shall be connect to analog ground.

The GND pin(2, 10, 30) connect to digital ground.

(2) Serial Interface:

The Serial interface pin(RXA, TX1, TXB, RXB) is recommended to pull up(10K ).

It can increase the stability of serial data.

(3) Backup Battery:

It's recommended to connect a backup battery to V\_BAT.

In order to enable the warm and hot start features of the GPS receiver. If you don't intend to use a backup battery, connect this pin to GND or open.

If you use backup battery, shall need to add a bypassing capacitor (10uF) at V\_bat trace. It can reduce noise and increase the stability.

(4) Antenna:

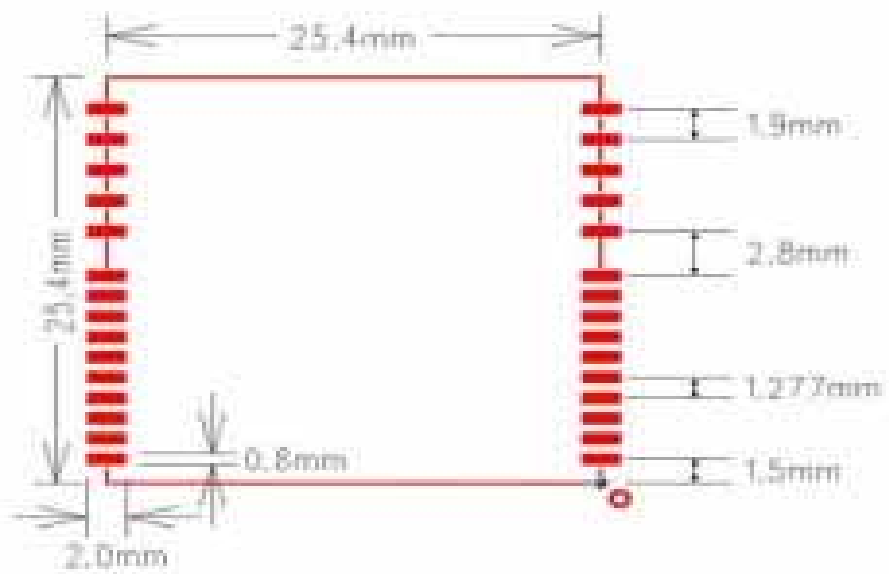
Connecting to the antenna has to be routed on the PCB. The transmission line must to controlled impedence to connect RF\_IN to the antenna or antenna connector of your choice.

(5) Active antenna bias voltage:

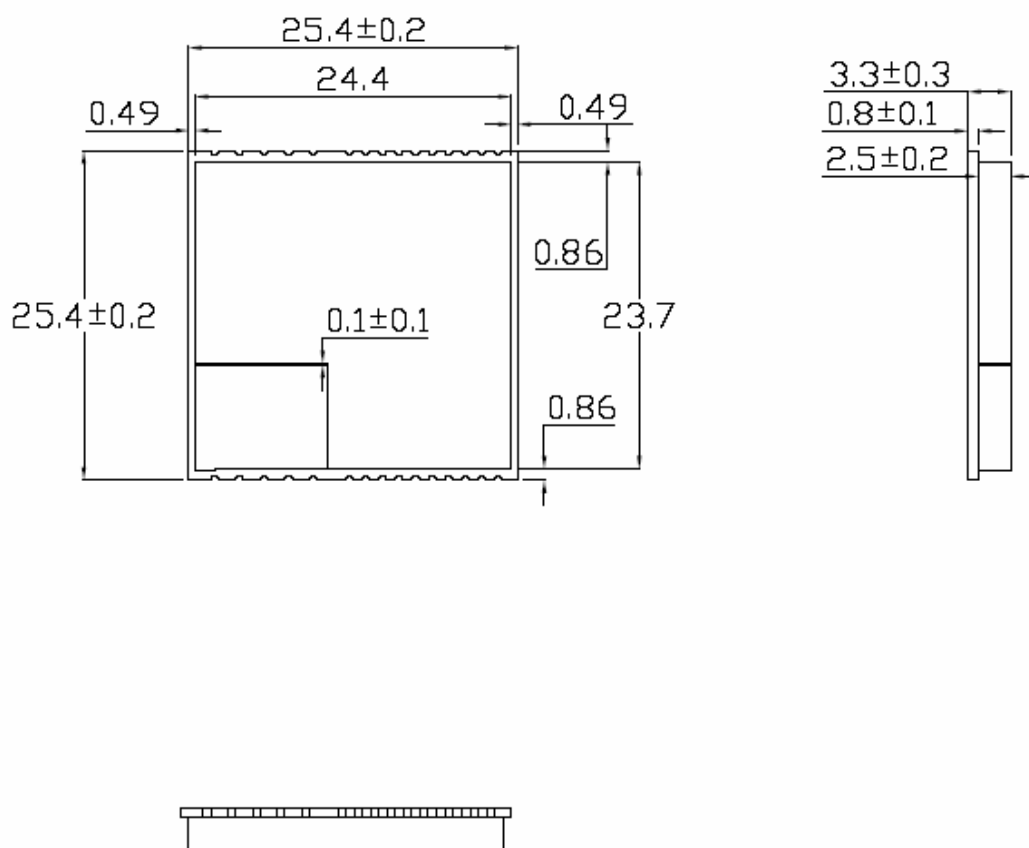
The Vcc\_RF pin (pin 20) is providing voltage 3.3V. If you use active antenna, you can connect this pin to V\_ANT\_IN pin (pin 19) to provide bias voltage of active



**Recommend Layout PAD**



**Mechanical Layout**



# SOFTWARE COMMAND

## NMEA Output Command

### GGA-Global Positioning System Fixed Data

Table B-2 contains the values for the following example:

\$GPGGA,161229.487,3723.2475,N,12158.3416,W,1,07,1.0,9.0,M,,,0000\*18

Table B-2 GGA Data Format

Name	Example	Units	Description
Message ID	\$GPGGA		GGA protocol header
UTC Time	161229.487		hhmmss.sss
Latitude	3723.2475		ddmm.mmmm
N/S Indicator	N		N=north or S=south
Longitude	12158.3416		dddmm.mmmm
E/W Indicator	W		E=east or W=west
Position Fix Indicator	1		See Table B-3
Satellites Used	07		Range 0 to 12
HDOP	1.0		Horizontal Dilution of Precision
MSL Altitude <sup>1</sup>	9.0	meters	
Units	M	meters	
Geoid Separation <sup>1</sup>		meters	
Units	M	meters	
Age of Diff. Corr.		second	Null fields when DGPS is not used
Diff. Ref. Station ID	0000		
Checksum	*18		
<CR><LF>			End of message termination

SiRF Technology Inc. does not support geoid corrections. Values are WGS84 ellipsoid heights.

Table B-3 Position Fix Indicator

Value	Description
0	Fix not available or invalid
1	GPS SPS Mode, fix valid
2	Differential GPS, SPS Mode, fix valid
3	GPS PPS Mode, fix valid

## GLL-Geographic Position-Latitude/Longitude

Table B-4 contains the values for the following example:

\$GPGLL,3723.2475,N,12158.3416,W,161229.487,A\*2C

Table B-4 GLL Data Format

Name	Example	Units	Description
Message ID	\$GPGLL		GLL protocol header
Latitude	3723.2475		ddmm.mmmm
N/S Indicator	n		N=north or S=south
Longitude	12158.3416		dddmm.mmmm
E/W Indicator	W		E=east or W=west
UTC Position	161229.487		hhmmss.sss
Status	A		A=data valid or V=data not valid
Checksum	*2C		
<CR><LF>			End of message termination

## GSA-GNSS DOP and Active Satellites

Table B-5 contains the values for the following example:

\$GPGSA,A,3,07,02,26,27,09,04,15,,,,,1.8,1.0,1.5\*33

Table B-5 GSA Data Format

Name	Example	Units	Description
Message ID	\$GPGSA		GSA protocol header
Mode1	A		See Table B-6
Mode2	3		See Table B-7
Satellite Used <sup>1</sup>	07		Sv on Channel 1
Satellite Used <sup>1</sup>	02		Sv on Channel 2
.....			
Satellite Used <sup>1</sup>			Sv on Channel 12
PDOP	1.8		Position dilution of Precision
HDOP	1.0		Horizontal dilution of Precision
VDOP	1.5		Vertical dilution of Precision
Checksum	*33		
<CR><LF>			End of message termination

1. Satellite used in solution.

Table B-6 Mode1

Value	Description
M	Manual-forced to operate in 2D or 3D mode
A	2Dautomatic-allowed to automatically switch 2D/3D

Table B-7 Mode 2

Value	Description
1	Fix Not Available
2	2D
3	3D

## GSV-GNSS Satellites in View

Table B-8 contains the values for the following example:

\$GPGSV,2,1,07,07,79,048,42,02,51,062,43,26,36,256,42,27,27,138,42\*71

\$GPGSV,2,2,07,09,23,313,42,04,19,159,41,15,12,041,42\*41

Table B-8 GSV Data Format

Name	Example		Description
Message ID	\$GPGSV		GSV protocol header
Number of Messages <sup>1</sup>	2		Range 1 to 3
Message Number <sup>1</sup>	1		Range 1 to 3
Satellites in View	07		
Satellite ID	07		Channel 1(Range 1 to 32)
Elevation	79	degrees	Channel 1(Maximum90)
Azimuth	048	degrees	Channel 1(True, Range 0 to 359)
SNR(C/No)	42	dBHz	Range 0 to 99,null when not tracking
.....			.....
Satellite ID	27		Channel 4 (Range 1 to 32)
Elevation	27	Degrees	Channel 4(Maximum90)
Azimuth	138	Degrees	Channel 4(True, Range 0 to 359)
SNR(C/No)	42	dBHz	Range 0 to 99,null when not tracking
Checksum	*71		
<CR><LF>			End of message termination

Depending on the number of satellites tracked multiple messages of GSV data may be required.

## RMC-Recommended Minimum Specific GNSS Data

Table B-10 contains the values for the following example:

\$GPRMC,161229.487,A,3723.2475,N,12158.3416,W,0.13,309.62,120598,,\*10

Table B-10 RMC Data Format

Name	Example	Units	Description
Message ID	\$GPRMC		RMC protocol header
UTC Time	161229.487		hhmmss.sss
Status	A		A=data valid or V=data not valid
Latitude	3723.2475		ddmm.mmmm
N/S Indicator	N		N=north or S=south
Longitude	12158.3416		dddmm.mmmm
E/W Indicator	W		E=east or W=west
Speed Over Ground	0.13	knots	
Course Over Ground	309.62	degrees	True
Date	120598		ddmmyy
Magnetic Variation <sup>2</sup>		degrees	E=east or W=west
Checksum	*10		
<CR><LF>			End of message termination

SiRF Technology Inc. does not support magnetic declination. All "course over ground" data are geodetic WGS48 directions.

## VTG-Course Over Ground and Ground Speed

\$GPVTG,309.62,T,,M,0.13,N,0.2,K\*6E

Name	Example	Units	Description
Message ID	\$GPVTG		VTG protocol header
Course	309.62	degrees	Measured heading
Reference	T		True
Course		degrees	Measured heading
Reference	M		Magnetic
Speed	0.13	knots	Measured horizontal speed
Units	N		Knots
Speed	0.2	Km/hr	Measured horizontal speed
Units	K		Kilometers per hour
Checksum	*6E		
<CR><LF>			End of message termination

## 2.2 NMEA Input Command

### A). Set Serial Port ID:100 Set PORTA parameters and protocol

This command message is used to set the protocol(SiRF Binary, NMEA, or USER1) and/or the communication parameters(baud, data bits, stop bits, parity). Generally,this command would be used to switch the module back to SiRF Binary protocol mode where a more extensive command message set is available. For example,to change navigation parameters. When a valid message is received,the parameters will be stored in battery backed SRAM and then the receiver will restart using the saved parameters.

Format:

```
$PSRF100,<protocol>,<baud>,<DataBits>,<StopBits>,<Parity>*CKSUM  
<CR><LF>
```

<protocol>	0=SiRF Binary, 1=NMEA, 4=USER1
<baud>	1200, 2400, 4800, 9600, 19200, 38400
<DataBits>	8,7. Note that SiRF protocol is only valid f8 Data bits
<StopBits>	0,1
<Parity>	0=None, 1=Odd, 2=Even

Example 1: Switch to SiRF Binary protocol at 9600,8,N,1

```
$PSRF100,0,9600,8,1,0*0C<CR><LF>
```

Example 2: Switch to User1 protocol at 38400,8,N,1

```
$PSRF100,4,38400,8,1,0*38<CR><LF>
```

**\*\*Checksum Field:** The absolute value calculated by exclusive-OR the 8 data bits of each character in the Sentence,between, but excluding "\$" and "\*\*". The hexadecimal value of the most significant and least significant 4 bits of the result are converted to two ASCII characters (0-9,A-F) for transmission. The most significant character is transmitted first.

**\*\*<CR><LF>** : Hex 0D 0A

## B). Navigation Initialization ID : 101 Parameters required for

### start

This command is used to initialize the module for a warm start, by providing current position ( in X, Y, Z coordinates ) ,clock offset, and time. This enables the receiver to search for the correct satellite signals at the correct signal parameters. Correct initialization parameters will enable the receiver to acquire signals more quickly, and thus, produce a faster navigational solution.

When a valid Navigation Initialization command is received, the receiver will restart using the input parameters as a basis for satellite selection and acquisition.

### Format :

\$PSRF101,<X>,<Y>,<Z>,<ClkOffset>,<TimeOfWeek>,<WeekNo>,<chnlCount>,<ResetCfg>

\*CKSUM<CR><LF>

<X>	X coordinate position INT32
<Y>	Y coordinate position INT32
<Z>	Z coordinate position INT32
<ClkOffset>	Clock offset of the receiver in Hz, Use 0 for last saved value if available. If this is unavailable, a default value of 75000 for GSP1, 95000 for GSP 1/LX will be used. INT32
<TimeOf Week>	GPS Time Of Week UINT32
<WeekNo>	GPS Week Number UINT16 ( Week No and Time Of Week calculation from UTC time )
<chnlCount>	Number of channels to use.1-12. If your CPU throughput is not high enough, you

could decrease needed throughput by  
reducing the number of active channels  
UBYTE

<ResetCfg> bit mask  
0x01=Data Valid warm/hotstarts=1  
0x02=clear ephemeris warm start=1  
0x04=clear memory. Cold start=1  
UBYTE

Example: Start using known position and time.

\$ PSRF101,-2686700,-4304200,3851624,96000,497260,921,12,3\*7F

### C). Set DGPS Port ID:102 Set PORT B parameters for DGPS input

This command is used to control Serial Port B that is an input only serial port used to receive

RTCM differential corrections.

Differential receivers may output corrections using different communication parameters.

The default communication parameters for PORT B are 9600 Baud, 8data bits, 0 stop bits, and no parity.

If a DGPS receiver is used which has different communication parameters, use this command to allow the receiver to correctly decode the data. When a valid message is received, the parameters will be stored in battery backed SRAM and then the receiver will restart using the saved parameters.

Format:

\$ PSRF102,<Baud>,<DataBits>,<StopBits>,<Parity>\*CKSUM<CR><LF>

<baud>	1200,2400,4800,9600,19200,38400
<DataBits>	8
<StopBits>	0,1
<Parity>	0=None,Odd=1,Even=2

Example: Set DGPS Port to be 9600,8,N,1

\$ PSRF102,9600,8,1.0\*12



**D). Query/Rate Control ID:103 Query standard NMEA message and/or set output rate**

This command is used to control the output of standard NMEA message GGA, GLL, GSA, GSV RMC, VTG. Using this command message, standard NMEA message may be polled once, or setup for periodic output. Checksums may also be enabled or disabled depending on the needs of the receiving program. NMEA message settings are saved in battery backed memory for each entry when the message is accepted.

Format:

\$ PSRF103,<msg>,<mode>,<rate>,<cksumEnable>\*CKSUM<CR><LF>

<msg>

0=GGA,1=GLL,2=GSA,3=GSV,4=RMC,5=VTG

<mode> 0=SetRate,1=Query

<rate> Output every <rate>seconds, off=0,max=255

<cksumEnable> 0=disable Checksum,1=Enable checksum  
for specified message

Example 1: Query the GGA message with checksum enabled

\$ PSRF103,00,01,00,01\*25

Example 2: Enable VTG message for a 1Hz constant output with checksum enabled

\$ PSRF103,05,00,01,01\*20

Example 3: Disable VTG message

\$ PSRF103,05,00,00,01\*21

### **E). LLA Navigation Initialization ID:104 Parameters required to start using Lat/Lon/Alt**

This command is used to initialize the module for a warm start, by providing current position (in Latitude, Longitude, Altitude coordinates), clock offset, and time. This enables the receiver to search for the correct satellite signals at the correct signal parameters. Correct initialization parameters will enable the receiver to acquire signals more quickly, and thus, will produce a faster navigational solution.

When a valid LLANavigationInitialization command is received, the receiver will restart using the input parameters as a basis for satellite selection and acquisition.

Format:

```
$ PSRF104,<Lat>,<Lon>,<Alt>,<ClkOffset>,<TimeOfWeek>,<WeekNo>,<ChannelCount>,<ResetCfg>*CKSUM<CR><LF>
```

<Lat>	Latitude position, assumed positive north of equator and negative south of equator float, possibly signed
<Lon>	Longitude position, it is assumed positive east of Greenwich and negative west of Greenwich Float, possibly signed
<Alt>	Altitude position float, possibly signed
<ClkOffset>	Clock Offset of the receiver in Hz, use 0 for last saved value if available. If this is unavailable, a default value of 75000 for GSP1, 95000 for GSP1/LX will be used. INT32
<TimeOfWeek>	GPS Time Of Week UINT32
<WeekNo>	GPS Week Number UINT16
<ChannelCount>	Number of channels to use. 1-12 UBYTE



Examples:

Datum select TOKYO\_MEAN

\$PSRF106,178\*32

Name	Example	Units	Description
Message ID	\$PSRF106		PSRF106 protocol header
Datum	178		21=WGS84 178=TOKYO_MEAN 179=TOKYO_JAPAN 180=TOKYO_KOREA 181=TOKYO_OKINAWA
Checksum	*32		
<CR> <LF>			End of message termination